



Maytag® Large Capacity Top Load Washer with the Deep Fill Option - 4.4 cu. ft.

MVWC465HW

Available Finishes/Colours

MVWC465HW
Other

Dimensions		Controls	
Height	44	Motor Drive Type	Belt
Width	27 1/2	Pedestal Options	No
Depth	27	Stackable	No
Maximum Height	44	Suspension System	4 Springs 4 Dampers
Minimum Height	43 1/4	Feedback-Status Indicators	Done, Fill, Lid Lock, Rinse, Sensing, Spin, Wash
		Display Type	No

Configuration and Overview	
Energy Star® Qualified	No
UL	UL
ULe Environmentally Preferred Certified	No

Controls	
Sound Package	No
Out of Balance Sensing	Yes
Hoses Included	No
Basket Material	Stainless Steel

Cycle and Options	
Number of Spin Speeds	2
Number of Soil Levels	3
Temperature Combinations	Hot, Cold, Tap Cold, Cool, Warm

With a large capacity at 4.4 cu. ft., this top load washing machine utilizes the PowerWash® agitator to stir up the concentrated cleaning and robust wash action needed to remove tough stains. This powerful washing machine also muscled in the Best Cleaning in its class driven by the PowerWash® cycle. Plus, the Quick Wash cycle helps clean loads faster by shortening cycle time. The Deep Water Wash option gets more water on wash cycles when you want it, for deep water wash clean. Add in the included 10-year limited parts warranty¹ on the motor and stainless steel wash basket, and you've got the power to clean tough loads for the long haul.

Top Features

4.4 cu. ft. Capacity

PowerWash® Agitator

Best Cleaning in its Class Driven by the PowerWash® Cycle (Based on 14-lb load, among leading top load brands, 4.5 cu. ft. and below capacity agitator washers, PowerWash® cycle vs. comparable cycles and settings.)

Manuals & Literature:

-  [Use and Care](#)  [Dimension Guide](#)
-  [Energy Guide](#)  [Installation Instructions](#)
-  [Warranty](#)



Because Whirlpool Corporation policy includes a continuous commitment to improve our products, we reserve the right to change materials and specifications without notice. Dimensions are for planning purposes only. For complete details, see Installation Instructions packed with product. Specifications subject to change without notice.

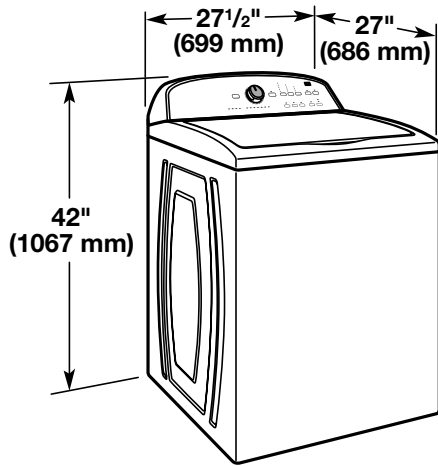


Top-Loading Automatic Washer

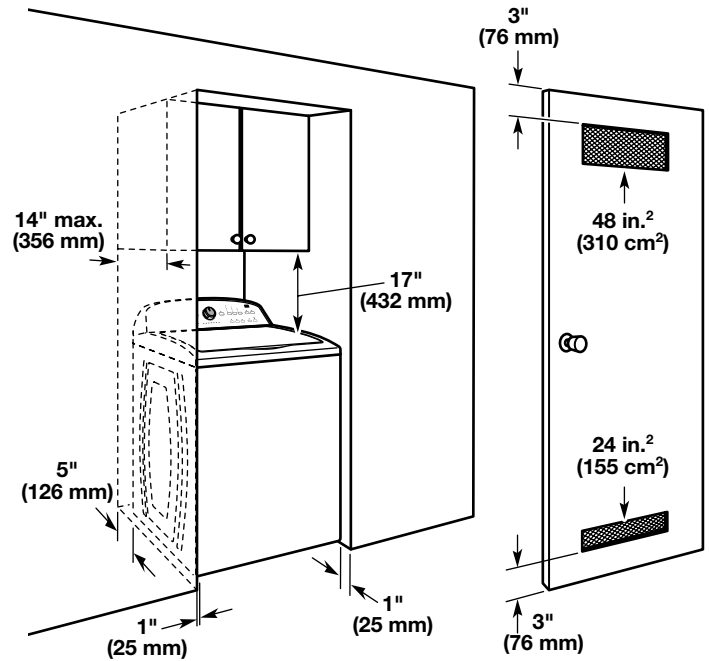
PRODUCT MODEL NUMBERS

MVWC200X, MVWC400X, MVWC450X, MVWX500X, MVWX600X, MVWX700X, MVWC300X, MVWX550X, MVWC350A, MVWC360A, MVWC200B, MVWC300B, MVWC425B, MVWC215E, MVWC415E, MVWP475E, MVWC416F

Washer dimensions



Recessed area or closet installation



Dimensions show recommended spacing allowed, except for closet door ventilation openings which are minimum required. This washer has been tested for installation with spacing of 0" (0 mm) clearance on the sides. Consider allowing more space for ease of installation and servicing, and spacing for companion appliances and clearances for walls, doors, and floor moldings. Add spacing of 1" (25 mm) on all sides of washer to reduce noise transfer. If a closet door or louvered door is installed, top and bottom air openings in door are required.

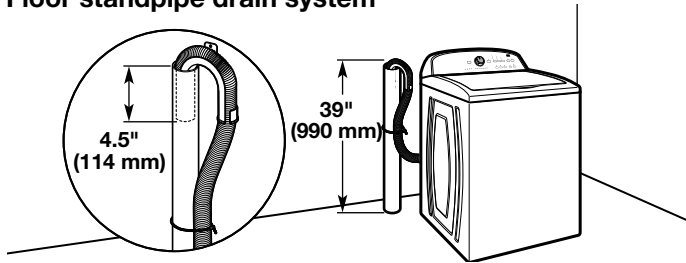
ELECTRICAL REQUIREMENTS

A 120 volt, 60 Hz., AC only, 15- or 20-amp, fused electrical supply is required. A time-delay fuse or circuit breaker is recommended. It is recommended that a separate circuit serving only this appliance be provided.

DRAIN SYSTEM

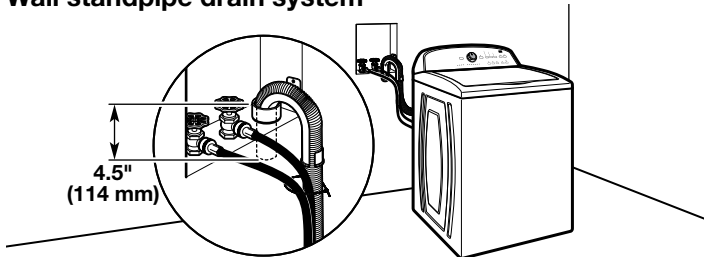
Drain system can be installed using a floor drain, wall standpipe, floor standpipe, or laundry tub. Select method you need.

Floor standpipe drain system



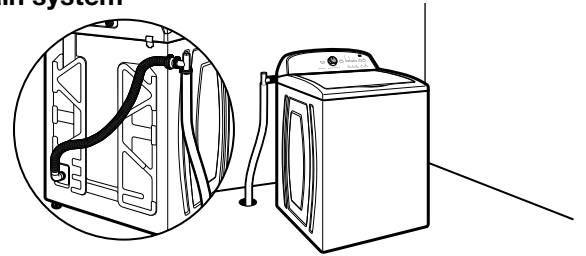
Minimum diameter for a standpipe drain: 2" (51 mm). Minimum carry-away capacity: 17 gal. (64 L) per minute. Top of standpipe must be at least 39" (990 mm) high; install no higher than 96" (2.44 m) from bottom of washer. If you must install higher than 96" (2.44 m), you will need a sump pump system.

Wall standpipe drain system



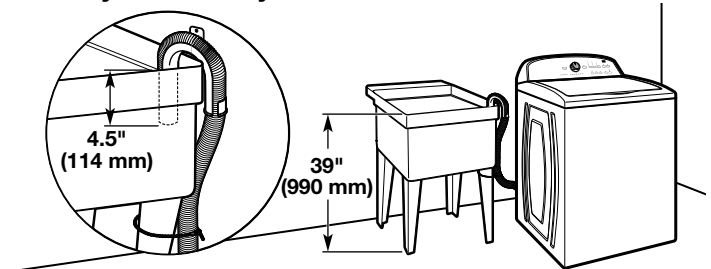
See requirements for floor standpipe drain system.

Floor drain system



Floor drain system requires a Siphon Break Kit (Part Number 285834), 2 Connector Kits (Part Number 285835), and an Extension Drain Hose (Part Number 285863) that may be purchased separately. To order, please see toll-free phone numbers in your Use and Care Guide. Minimum siphon break: 28" (710 mm) from bottom of washer. (Additional hoses may be needed.)

Laundry tub drain system



Minimum capacity: 20 gal. (76 L). Top of laundry tub must be at least 39" (990 mm) above floor; install no higher than 96" (2.44 m) from bottom of washer.

IMPORTANT: To avoid siphoning, no more than 4.5" (114 mm) of drain hose should be inside standpipe or below the top of wash tub. Secure drain hose with cable tie.