



Kitchen - Lot

Two-hole mixer with individual flanges - polished chrome

Article number: 32 800 680-00 0010

Date of manufacture from 5/10/2021

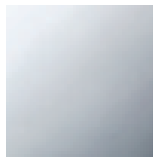


- 9-1/4" Projection
- Swiveling spout 360°
- Areated stream
- Total height 13-5/8"
- Height to aerator/spout outlet 12-1/2"
- Individual flanges 2-1/8" x 2-1/8"
- Spout hole diameter 1-3/8"
- Single-lever mixer hole diameter 1-3/4"
- 2 x pressure hose with 3/8" compression fitting
- Water flow rate limited to max. 1.5 gpm
- lead-free

Codes & Standards

- NSF/ANSI 372
- California Energy Commission (CEC)
- ASME A112.18.1/CSA B125.1
- NSF/ANSI/CAN 61
- ADA

- (ADA)
- Flexible positioning of components



polished chrome



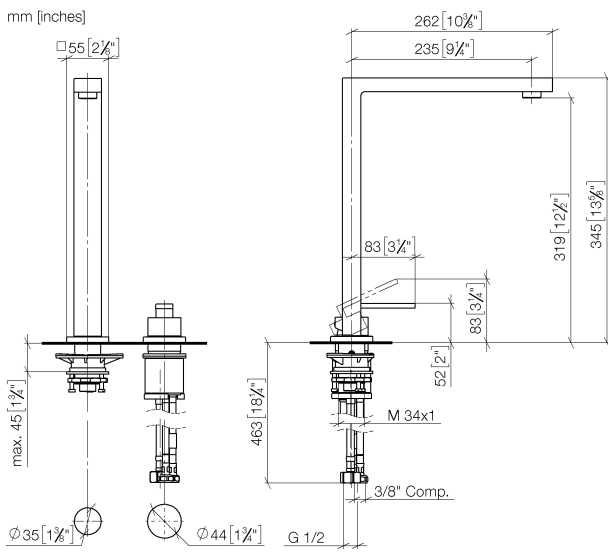
Kitchen - Lot

Two-hole mixer with individual flanges - polished chrome

Article number: 32 800 680-00 0010

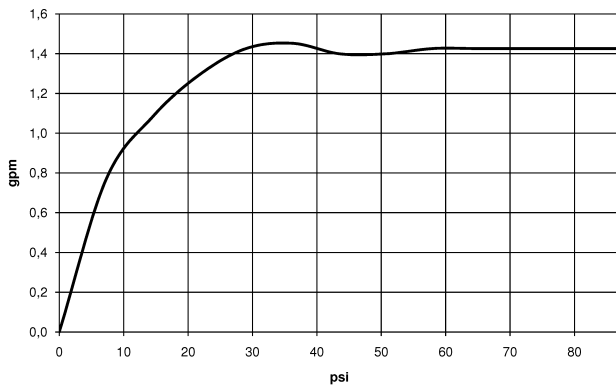
Date of manufacture from 5/10/2021

Dimensional drawing



All dimensions in mm / inch = mm x 0,0394

Flow rate chart





Kitchen - Lot

Two-hole mixer with individual flanges - polished chrome

Article number: 32 800 680-00 0010

Date of manufacture from 5/10/2021

Other surface finishes



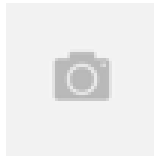
platinum matte

32 800 680-06 0010



platinum

32 800 680-08 0010



Brushed durabronz (23kt)

32 800 680-28 0010



Dark Platinum matte

32 800 680-99 0010

More custom finish options are available via special production (xTra Service). Please see our finish matrix for availability and pricing or contact a Dornbracht representative.



10 714 970-00

AIR SWITCH operating button, trim parts only - polished chrome



82 439 970-00

Soap dispenser with flange - polished chrome

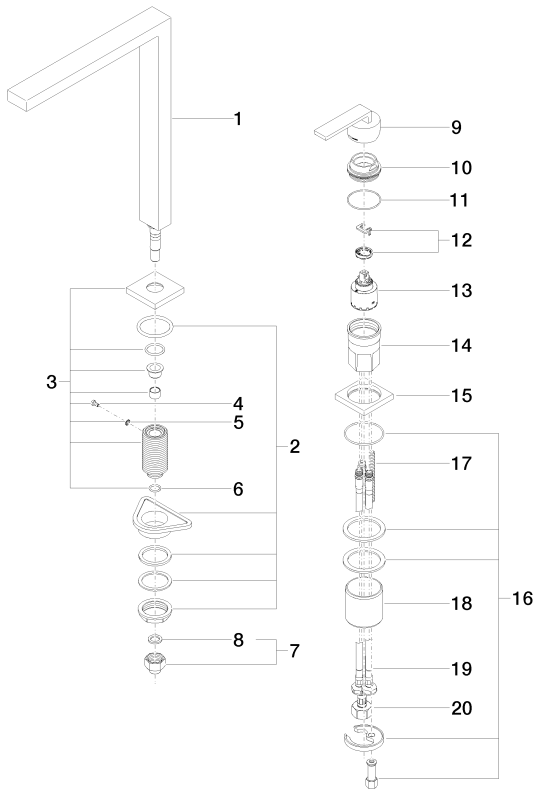
Kitchen - Lot

Two-hole mixer with individual flanges - polished chrome

Article number: 32 800 680-00 0010

Date of manufacture from 5/10/2021

Spare parts list



Number	Item Number	Designation	Number of units
1	90 11 06 188 08-00	spout	1
2	04 23 10 044 01 90	fixing set	1
3	90 27 78 023 00-00	rosette	1
4	09 30 30 057 90	screw	1
5	09 30 11 028 90	disc	1
6	09 14 10 077 90	seal	1
7	04 24 04 166 10 90	nipple	1
8	09 14 20 002 90	seal	1
9	90 20 78 040 00-00	handle	1
10	09 18 40 101 90	sleeve	2
11	09 14 10 037 90	seal	1
12	04 28 10 148 00 90	accessories	1
13	90 15 05 061 00 90	cartridge	1
14	09 30 01 100 10 90	sleeve	1
15	09 27 78 007-00	rosette	1
16	04 30 11 038 02 90	fixing set	1
17	09 31 11 011 90	pin	1
18	09 18 40 079 90	sleeve	1
19	04 30 04 106 00 90	hose	2
20	04 30 04 019 00 90	hose	1